

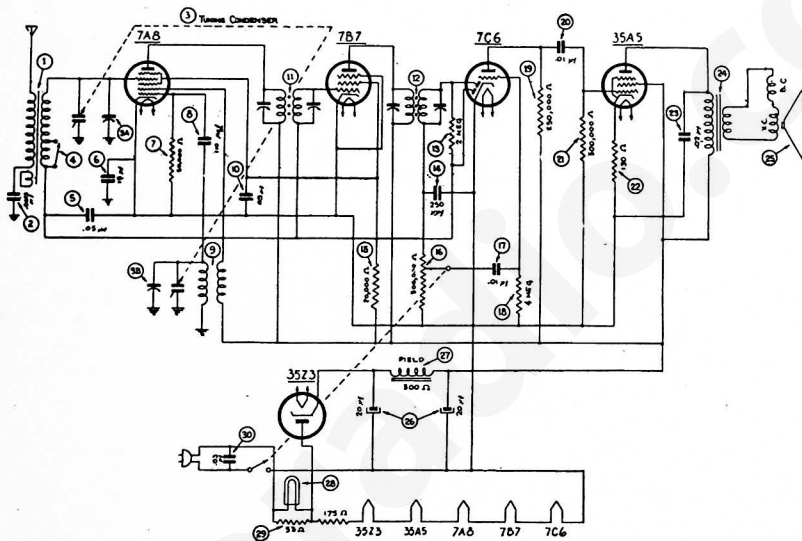
PHILCO MODEL TP-12

MODEL TP-12 is a 5 tube superheterodyne receiver having 2 tuning ranges covering from 540 to 1720 kilocycles (K.C.) on the broadcast band and from 2.3 to 2.5 megacycles (M.C.) on the police band. This model is designed to operate on either alternating (A.C.) or direct current (D.C.) 115 volts. This model is assembled in a walnut cabinet with contrasting maple inlays.

An indoor aerial 20 feet in length is attached to the receiver for average receiving conditions; however in apartment houses, hotels or steel re-inforced buildings, the Philco Utility Aerial Part No. 40-834 is recommended.

The procedure for aligning the compensating condensers of this model will be found on page 3 under General Aligning Instructions.

NOTE: If no sound is heard after connecting the receiver to the power supply and sufficient time has been allowed for the tubes to heat, reverse the electric plug in the outlet. The same procedure should be observed on A.C. power supplies when a slight hum is heard with the volume turned low.



REPLACEMENT PARTS

TRANSITONE HOME RADIO MODEL TP-12

Schem. No.	Description	Philco Part No.	Schem. No.	Description	Philco Part No.
1	Antenna Transformer.....	32-3164			
2	Tubular Condenser (.0015 mf., 200V)	30-4555S	25	For Speaker 36-1469-9.....	32-8044
3	Tuning Condenser.....	31-2354		Cone Assembly	
4	Switch.....	42-1406		For Speaker 36-1469-1.....	36-4115
5	Tubular Condenser (.05 mf., 200V)	30-4519S		For Speaker 36-1469-9.....	36-4113
6	Tubular Condenser (.15 mf., 400V)	30-4505S	26	Electrolytic Capacitor	
7	Resistor (50,000 ohms, 1/3 watt)	33-350244		(20-20 mf., 150V).....	30-2382
8	Mica Condenser (110 mmf.).....	30-1031	27	Field Coil.....Part of Speaker No.	36-1469
9	Oscillator Transformer.....	32-3152	28	Pilot Lamp.....	34-2068
10	Tubular Condenser (.05 mf., 200V)	30-4519S	29	Line Resistor.....	33-3367
11	1st I.F. Transformer.....	32-3149	30	Tubular Condenser (.03 mf., 400V)	30-4449S
12	2nd I.F. Transformer.....	32-3150		Cardboard.....	27-9299
13	Resistor (2 meg., 1/3 watt).....	33-520244		Cabinet.....	10374
14	Mica Condenser (250 mmf.).....	30-1032		Cable (Power).....	L-3183
15	Resistor (20,000 ohms, 1/3 watt)...	33-320244		Dial Scale.....	27-5498
16	Volume Control (500,000 ohms)....	33-5306		Drive Drum.....	28-6662
17	Tubular Condenser (.01 mf., 200V)	30-4479S		Drive Shaft Assembly.....	31-2355
18	Resistor (4 meg., 1/3 watt).....	33-540244		Drive Cord Assembly.....	31-2358
19	Resistor (250,000 ohms, 1/3 watt)...	33-425244		Knob Assembly.....	27-4820
20	Tubular Condenser (.01 mf., 400V)	30-4572S		Pointer Dial.....	58-1326
21	Resistor (500,000 ohms, 1/3 watt)...	33-450244		Spring (Drive Cord).....	28-8751
22	Resistor (130 ohms, 1/2 watt).....	33-113336		Speaker.....	36-1469
23	Tubular Condenser (.02 mf., 400V)	30-4516S		Socket Assembly (Pilot Lamp)....	38-9825
24	Output Transformer			Sockets.....	27-6128
	For Speaker 36-1469-1.....	32-8047			